

Standard Construction and Materials

FRAME: Head and Sill: .125" thick (nominal) formed aluminum alloy 6063-T52/T6.
Jamb: .081" thick (nominal) extruded aluminum alloy 6063-T52/T6.
 Frame is welded construction.

BLADE: .24" thick (nominal) at edges, reducing to .063" thickness (nominal) at midpoint of profile. Blades approximately 1.25" on centers.

MULLION: Exposed, vertical with 1.75" x .08" 6063-T52/T6 extruded aluminum cover (multiple panels only). Exposed, horizontal.

FINISH: Mill

Options

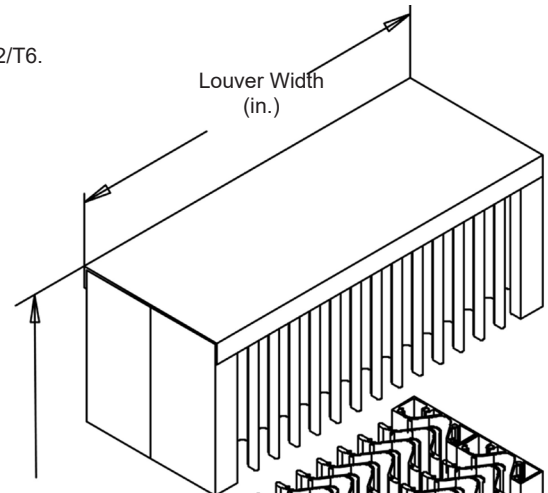
- Finish - Baked Enamel, Kynar, Anodize
- Screens - 1/2" flattened aluminum (.051" thick),
 - or- 1/2" sq. mesh, intermediate double-crimped aluminum wire, .063" dia.,
 - or- 19/16 mesh, .011" dia. aluminum wire, insect screen, and a variety of other bird and insect screens.
- Extended Sill - .063" formed aluminum

Notes

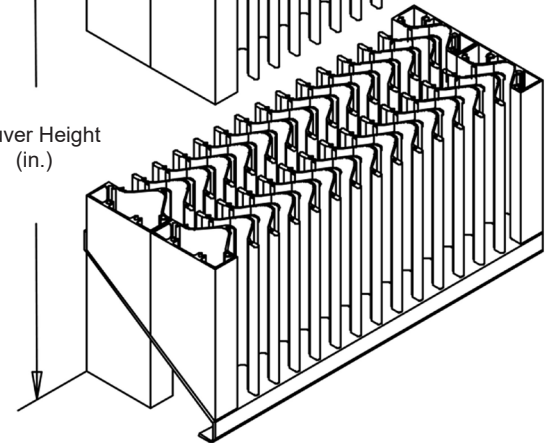
1. Nominal deductions will be made to the opening size given.
2. Approximate shipping weight is 13 3/4 lbs./sq.ft.

Louver Sizes

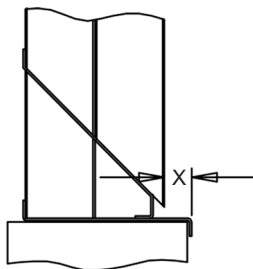
Min Panel	Max Single Panel
12"W x 18"H	48"W x 96"H



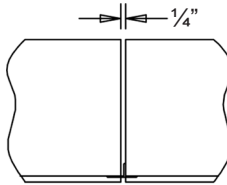
Louver Height (in.)



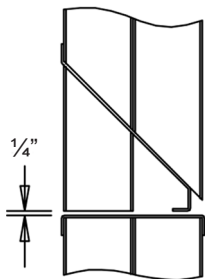
Not to scale.



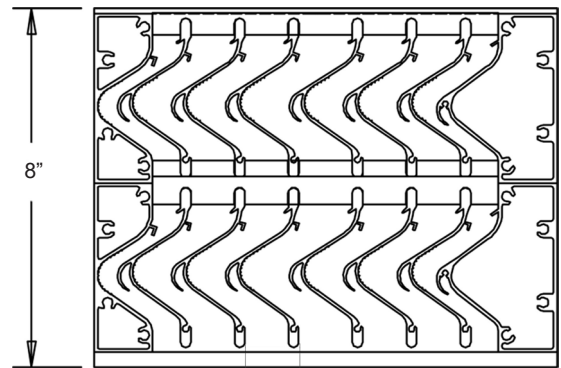
Optional Extended Sill



Standard Exposed Vertical Mullion



Standard Exposed Horizontal Mullion



External Section View

Item #	Qty	Width	Height	Width	Height	Mullion	Type	Location	Union Made
		Opening Size		Louver Size			Screens		
Arch. / Eng.:						EDR:	ECN:	Job:	
Contractor:									
Project:						Date:	DWN:	DWG:	



In the interest of product development, Cesco Products reserves the right to make changes without notice.

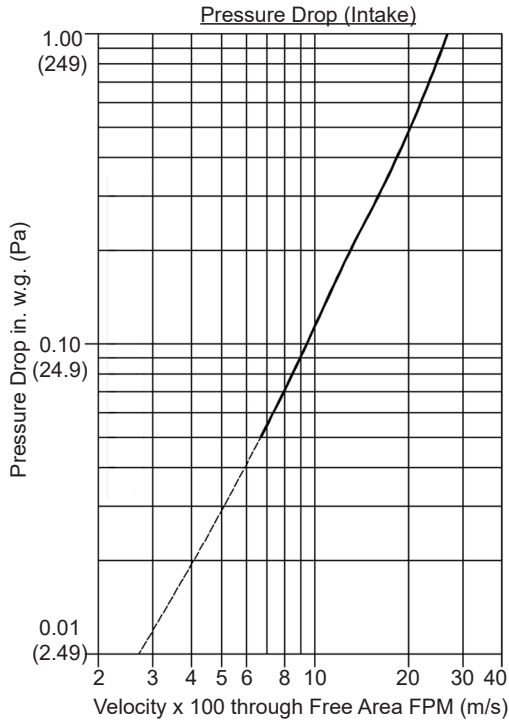


450 Riverside Dr • Wyalusing PA, 18853
 Phone: 570-746-1888 • Fax: 570-746-9286
 www.cescoproducts.com

Performance Data

Pressure Drop: .65 in. w.g. (161.9 Pa) at 1250 fpm (6.4 m/s) and 9667 scfm (4.6 scm/s)

Free Area: 4.41 sq.ft. (0.410 m²) = 27.56% for 48"W x 48"H (1.2m x 1.2m) sample tested in accordance with AMCA Standard 500-L.



Pressure Drop & Free Area Velocity

Pressure Drop	.10 in. w.g. (24.91 Pa)	.20 in. w.g. (49.82 Pa)	.30 in. w.g. (74.73 Pa)
Free Area Velocity	940 FPM (4.78 m/s)	1300 FPM (6.6 m/s)	1600 FPM (8.13 m/s)

Ratings do not include effects of a screen.
Test based on 48" x 48" sample size
per AMCA Standard 500-L, Figure 5.5.

Free Area sq.ft. (sq. meters)

		Width in. (mm)								
		12" (305)	24" (610)	36" (914)	48" (1219)	60" (1524)	72" (1829)	84" (2134)	96" (2438)	
Height in. (mm)	18" (457)	0.18 (0.016)	0.41 (0.038)	0.65 (0.060)	0.88 (0.081)	1.12 (0.104)	1.35 (0.125)	1.58 (0.146)	1.82 (0.169)	1 Section
	24" (610)	0.32 (0.030)	0.73 (0.068)	1.17 (0.109)	1.58 (0.147)	2.02 (0.188)	2.43 (0.226)	2.85 (0.265)	3.28 (0.305)	
	36" (914)	0.60 (0.056)	1.39 (0.129)	2.21 (0.206)	3.00 (0.278)	3.82 (0.355)	4.61 (0.428)	5.39 (0.501)	6.22 (0.578)	
	48" (1219)	0.89 (0.082)	2.04 (0.190)	3.26 (0.303)	4.41 (0.410)	5.63 (0.523)	6.78 (0.630)	7.93 (0.737)	9.15 (0.850)	2 Sections High
	60" (1524)	1.17 (0.109)	2.69 (0.250)	4.30 (0.400)	5.83 (0.541)	7.43 (0.690)	8.96 (0.832)	10.48 (0.973)	12.09 (1.123)	
	72" (1829)	1.46 (0.135)	3.35 (0.311)	5.35 (0.497)	7.24 (0.673)	9.24 (0.858)	10.63 (0.988)	12.52 (1.16)	14.42 (1.34)	
	84" (2134)	1.74 (0.162)	4.00 (0.372)	6.39 (0.594)	8.65 (0.804)	11.04 (1.03)	12.71 (1.18)	14.97 (1.39)	17.23 (1.60)	
96" (2438)	2.03 (0.188)	4.66 (0.433)	7.43 (0.691)	10.07 (0.953)	12.48 (1.19)	14.78 (1.37)	17.42 (1.62)	20.05 (1.86)		
		1 Section				2 Sections Wide				